



JUPITER SOFA

Norde

TECHNICAL SPECIFICATIONS

Designed by
Norde Design Studio

INTERIOR STRUCTURE BEECH HARDWOOD FRAME AND ZIGZAG BOW

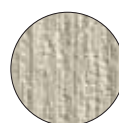
SEAT CUSHION 35 DNS SOFT FOAM AND FIBER

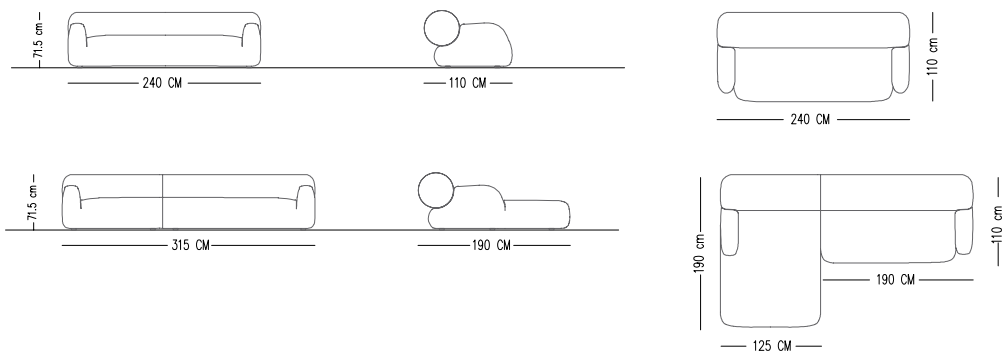
BACK GOOSE DOWN AND FIBER

UPHOLSTERY TIGHT

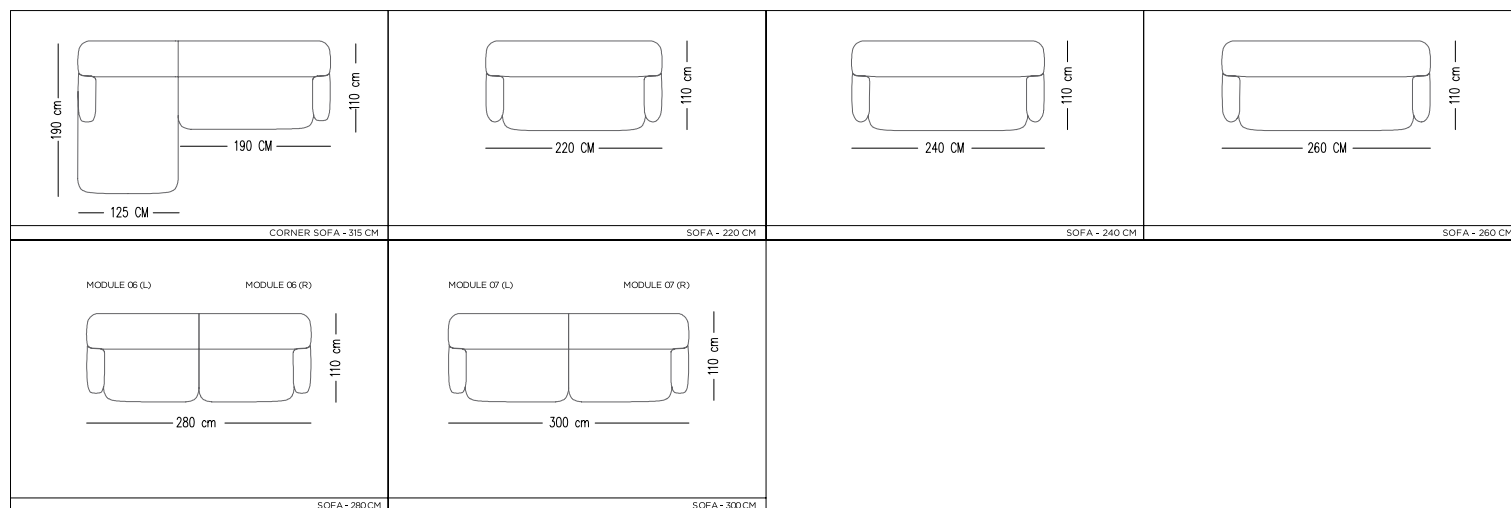
MAINTENANCE ALL DECORATIVE CUSHIONS ARE GOOSE DOWN AND SILICON MIX, QUANTITY AND DIMENSIONS ARE AS PER TECHNICAL DRAWINGS..STANDART WITH 4 CUSHIONS

We recommend shaking and fluffing-up the cushions regularly to maintain the shape. This should be done after removing the cushions from the structure for improved air circulation. For maintenance of fabric and leather, please contact your retailer.

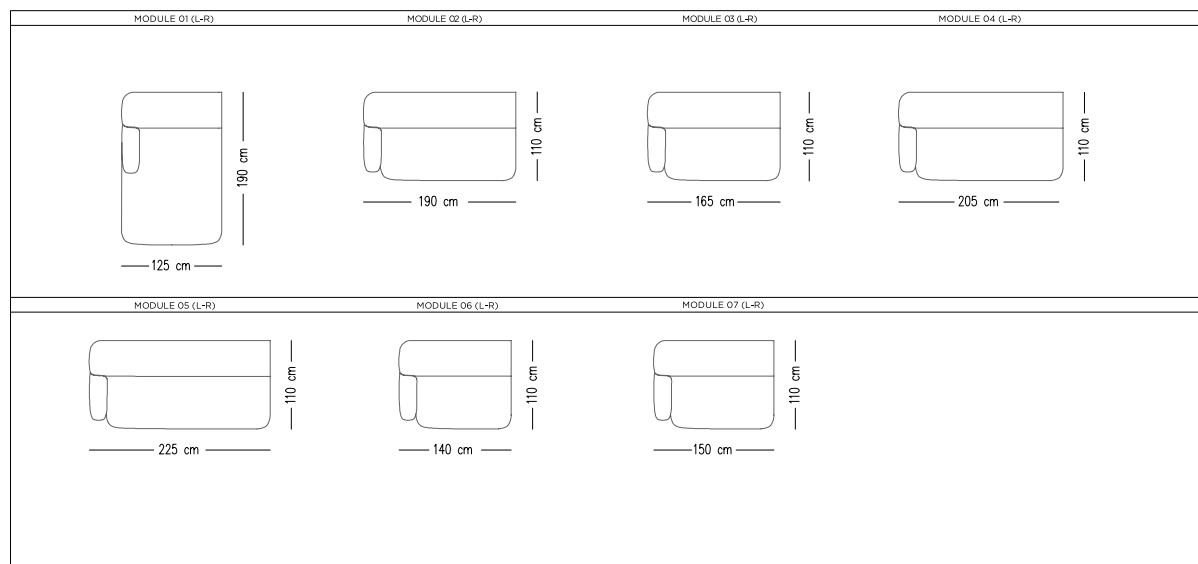




STANDARDS



MODULES



Catalog product-fabric

N-C35/ Linen teddy



Laura

Catalog product-Legs

Hidden leg

Fabric Matrix



Material Catalogue



Alternative fabric
Linen, Boucle, Faux leather and Linen teddy