

BONALDO

Big Table

Designer: Alain Gilles



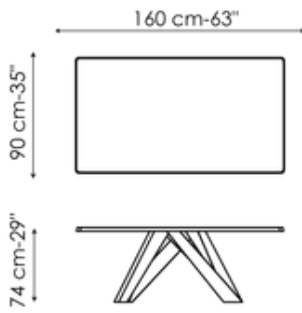
The inclination of the legs evokes dynamism, the linearity of the top bestows great visual stability. Whether stationary or in motion, the Big Table has a decidedly unusual personality.

The Big Table's legs are in laser-cut steel in different sizes and geometric shapes, painted in numerous combinations of colours. The top, fixed or extending, is available in veneered or solid wood, ceramic or marble. A single-material version in hand-spatulated clay in different colours enriches the collection. Adaptable, sculptural, a reliable central feature in traditional or more contemporary contexts thanks to the numerous possibilities of personalisation, the Big Table has become the icon of Bonaldo style.

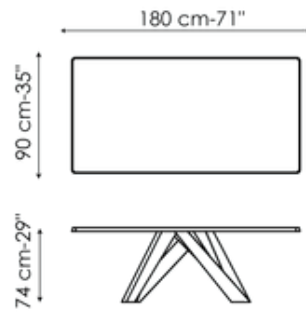
For this reason, to celebrate 10 years since the launch of Big Table, a Special Edition was created in 2019 in Saint Denis marble.



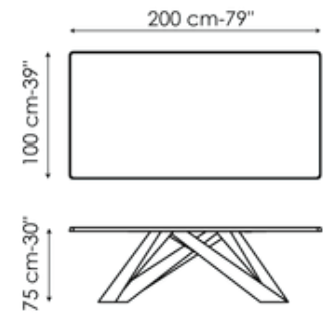
Data sheet



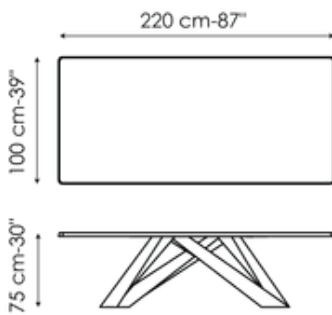
Width: 160cm
Depth: 90cm
Height: ± 74cm



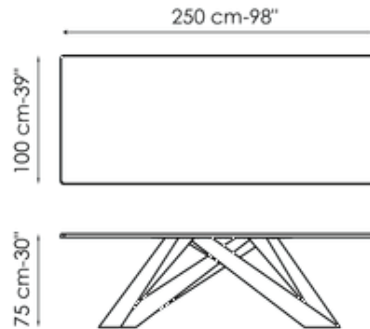
Width: 180cm
Depth: 90cm
Height: ± 74cm



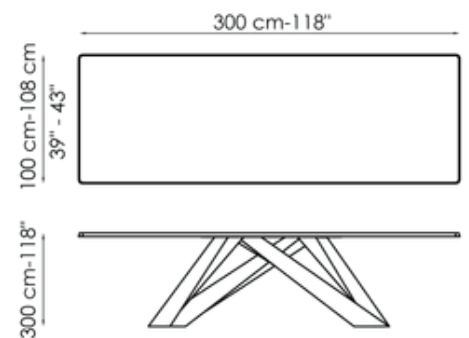
Width: 200cm
Depth: 100cm
Height: ± 75cm



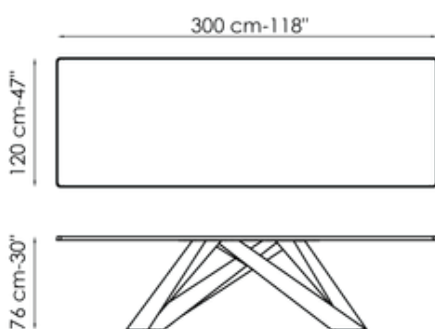
Width: 220cm
Depth: 100cm
Height: ± 75cm



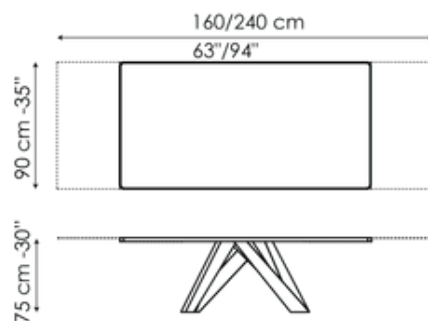
Width: 250cm
Depth: 100cm
Height: ± 75cm



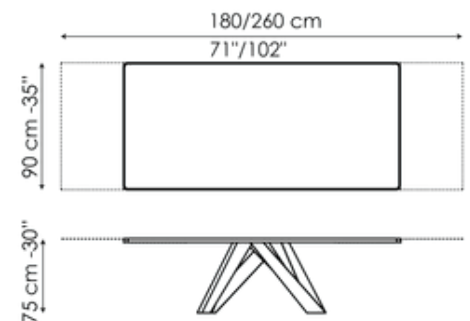
Width: 300cm
Depth: 100-108cm
Height: ± 75cm



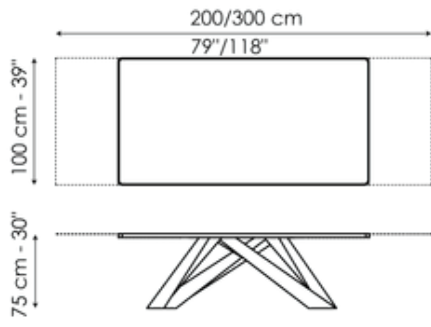
Width: 300cm
Depth: 120cm
Height: ± 76cm



Width: 160-240cm
Depth: 90cm
Height: ± 75cm



Width: 180-260cm
Depth: 90cm
Height: ± 75cm



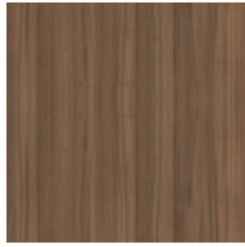
Width: 200-300cm

Depth: 100cm

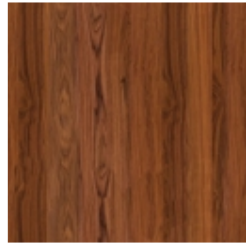
Height: ± 75cm

Finishes

Fixed table top



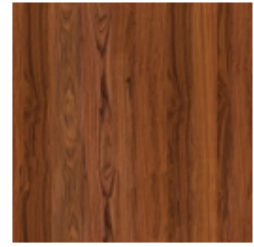
Veneered wood
Walnut Canaletto



Solid wood
American walnut



Solid wood
Brushed natural oak



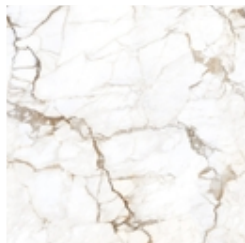
Wood with natural edges
American walnut



Solid wood
Brushed coal oak



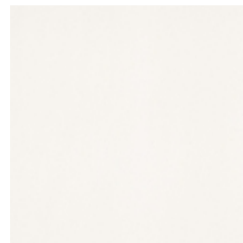
Veneered wood
Brushed natural oak



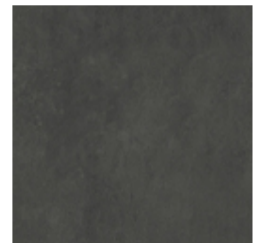
Silk finish ceramic
Calacatta macchia vecchia



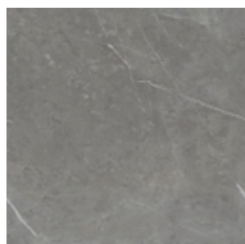
Glossy ceramic
Calacatta



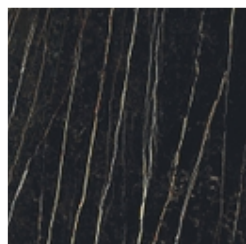
Mat ceramic
Iridium white



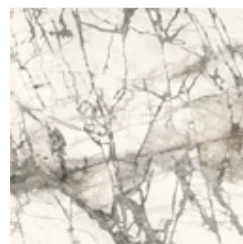
Mat ceramic
Graphite grey



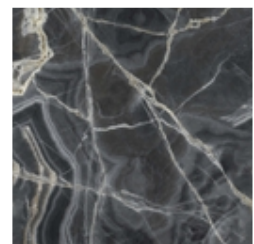
Mat ceramic
Ardesia grey



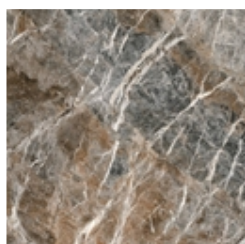
Mat ceramic
Laurent



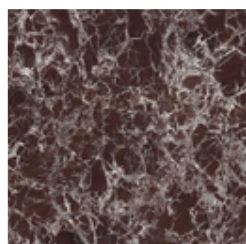
Glossy ceramic
Imperial grey



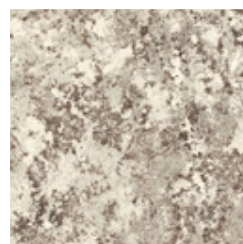
Glossy ceramic
Black Onyx



Glossy ceramic
Mountain peak



Glossy ceramic
Rosso imperiale

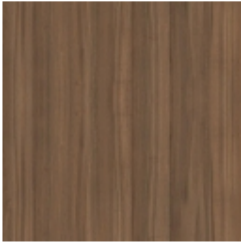


Mat ceramic
Alaska White



Mat ceramic
Augusta

Leaf table top



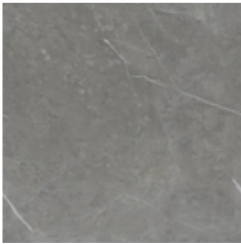
Veneered wood
Walnut Canaletto



Veneered wood
Brushed natural oak



Veneered wood
Brushed coal oak



Mat ceramic
Ardesia grey



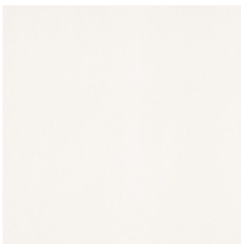
Glossy ceramic
Calacatta



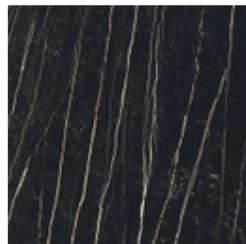
Silk finish ceramic
Calacatta macchia vecchia



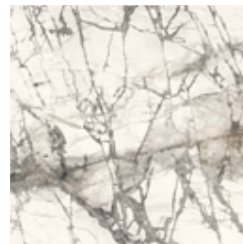
Mat ceramic
Graphite grey



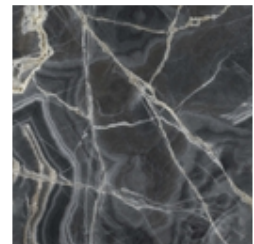
Mat ceramic
Iridium white



Mat ceramic
Laurent



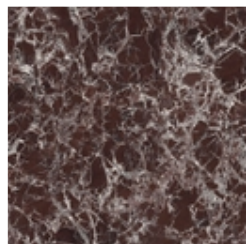
Glossy ceramic
Imperial grey



Glossy ceramic
Black Onyx

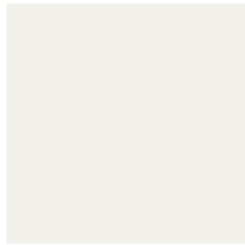


Glossy ceramic
Mountain peak



Glossy ceramic
Rosso imperiale

Base



Painted metal
Mat white



Painted metal
Mat dove grey

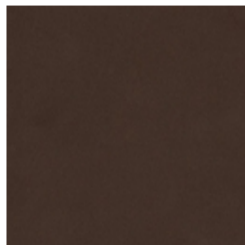


Painted metal
Mat brown

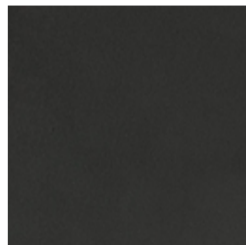
Painted metal
Supreme anthracite



Painted metal
Mat black



Painted metal
Mat bronze



Painted metal
Mat lead



Painted metal
Mat pearl gold



Painted metal
Mat brass



Painted metal
Mat copper



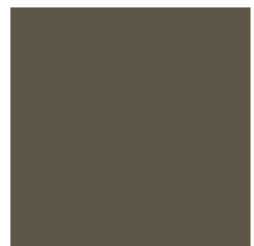
Metal finish
Burnished



Metal finish
Copper-bronze



Metal finish
Clouded chrome



Metal finish
Brown nickel



Metal finish
Dark nickel

Base - fixed combination



Painted metal

Combination 1 | orange, coral red, green, lilac



Painted metal

Combination 2 | brown, powder pink, dove grey, amaranth



Painted metal

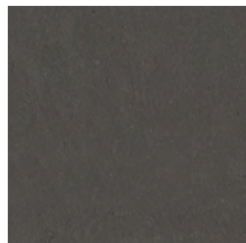
Combination 3 | brass yellow, royal blue, racing green, bordeaux

Fixed table top and Base



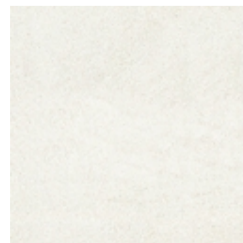
Clay finish and hand spatula effect

Glacier



Clay finish and hand spatula effect

Graphite



Clay finish and hand spatula effect

Neige



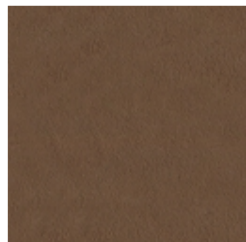
Clay finish and hand spatula effect

Perle



Clay finish and hand spatula effect

Terracotta



Clay finish and hand spatula effect

Terre