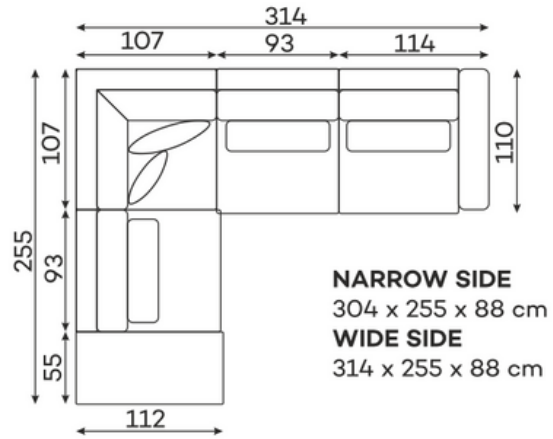




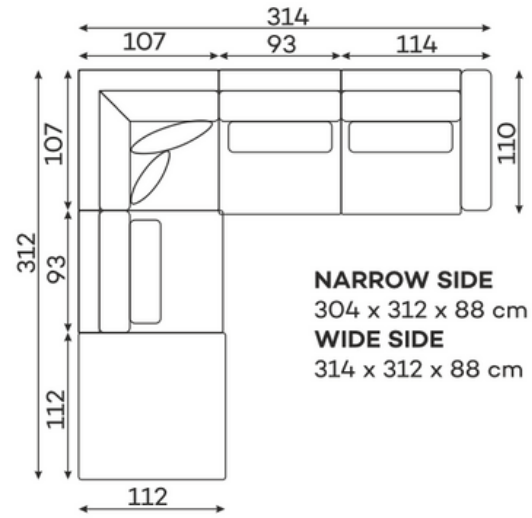
Corner sofas

Available in a left-hand or right-hand configuration. The sets below are left-hand facing.

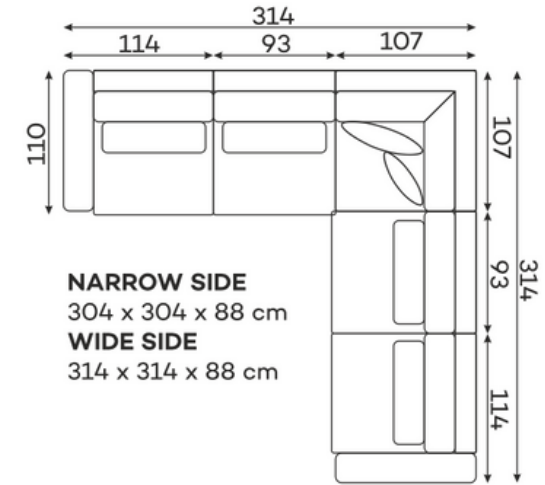
RIO SET 2



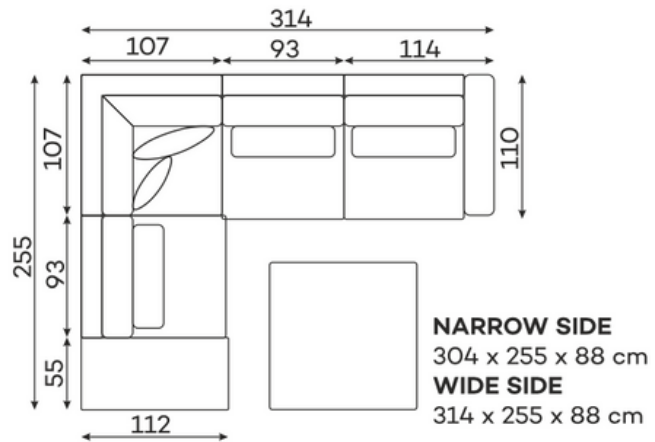
RIO SET 3



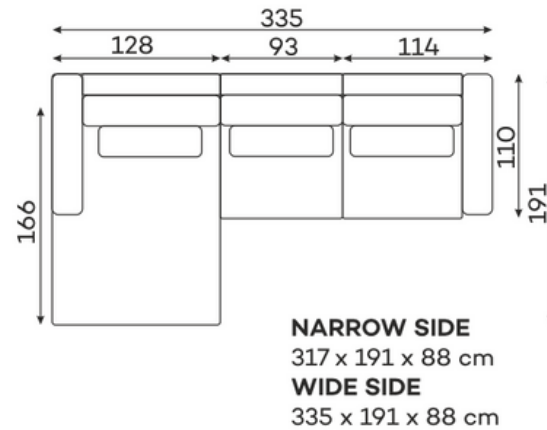
RIO SET 4



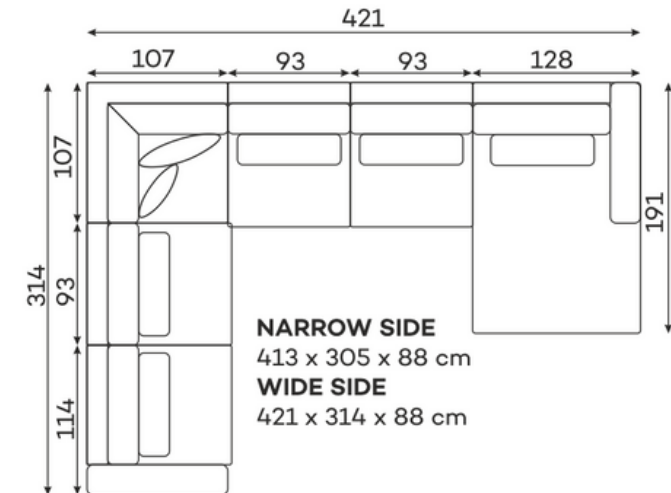
RIO SET 5



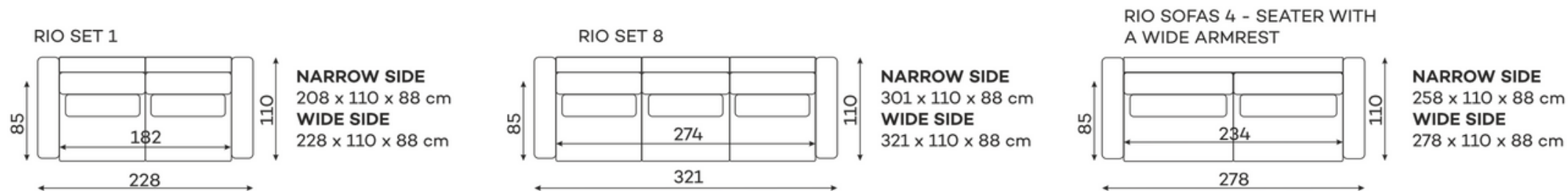
RIO SET 6



RIO SET 7

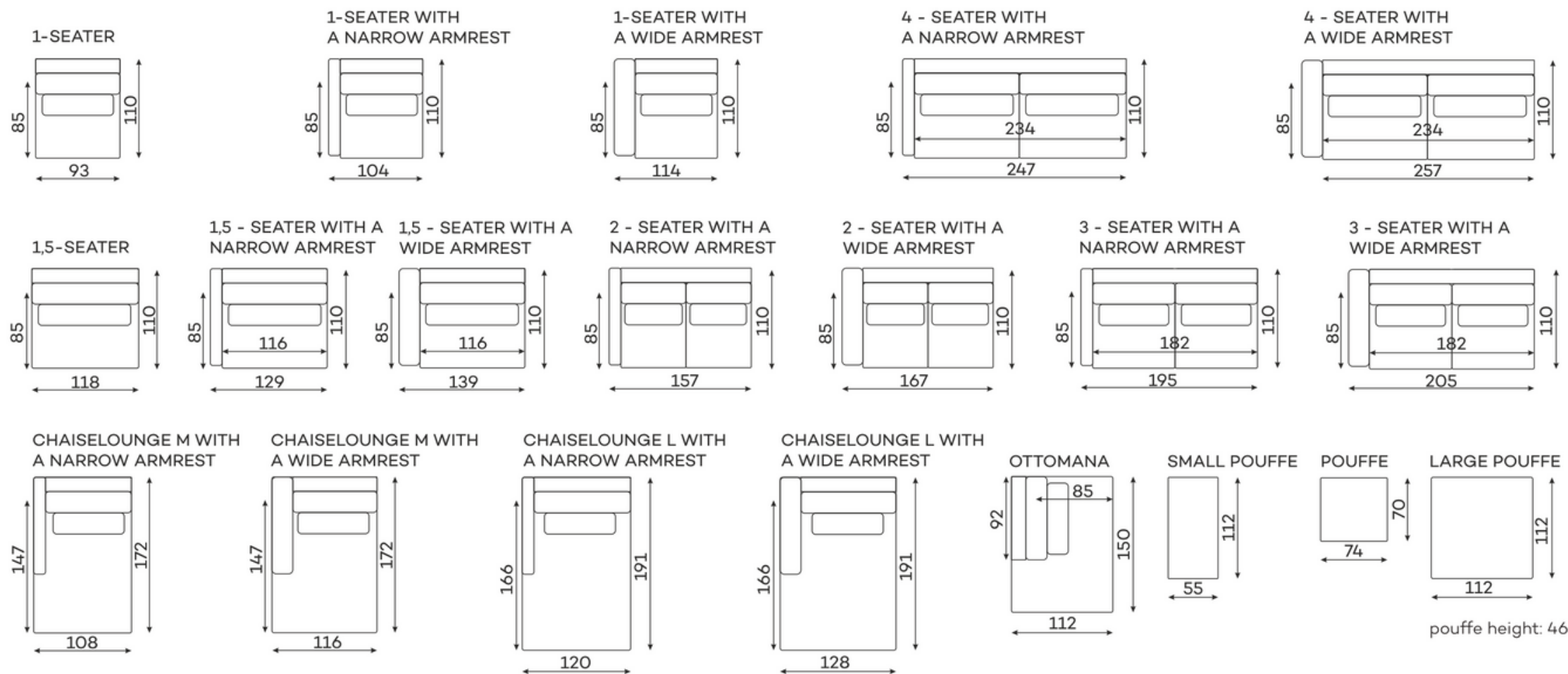


Sofas



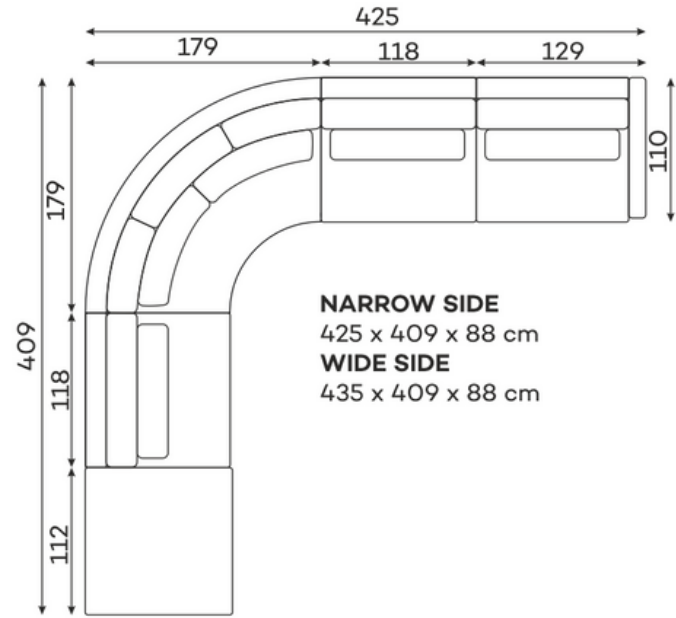
Modular units

Available in a left-hand or right-hand configuration. The sets below are left-hand facing.

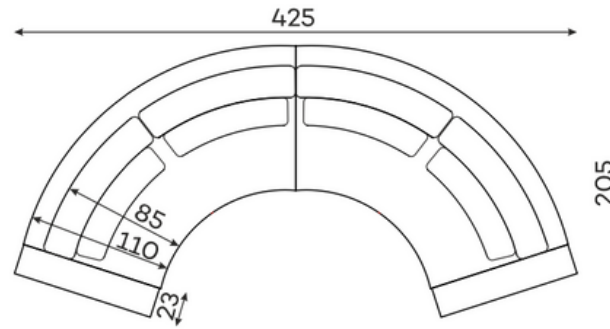


All dimensions of upholstered furniture are given with a tolerance of +/- 4 cm.

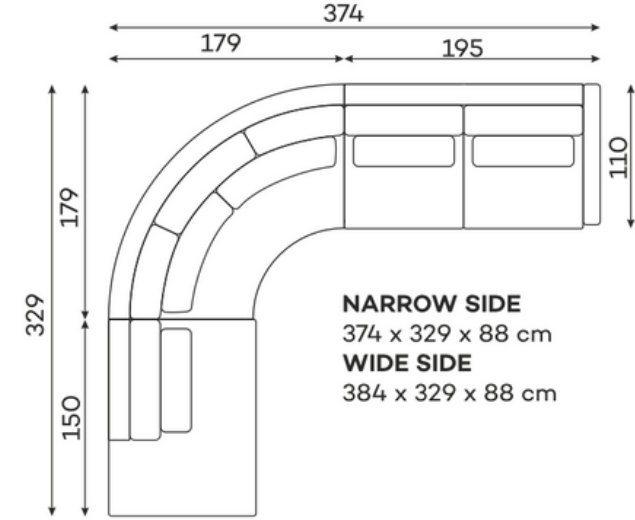
RIO SET 9



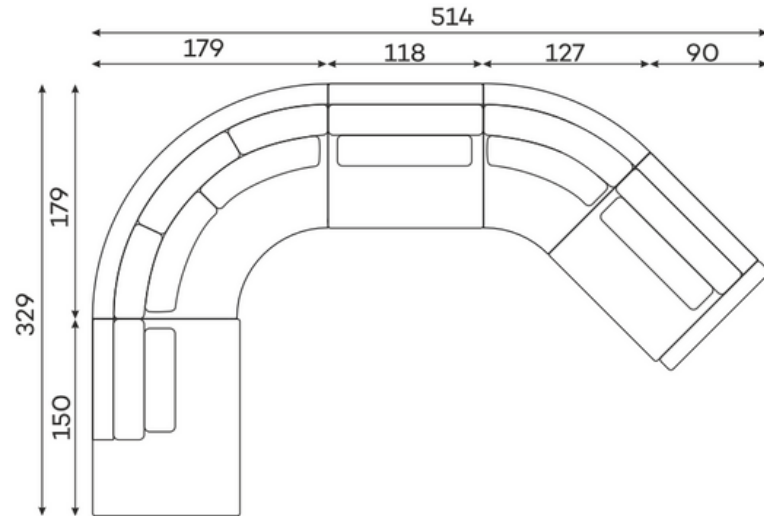
RIO SET 10



RIO SET 11

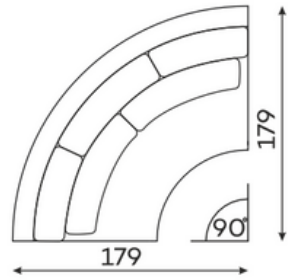


RIO SET 12

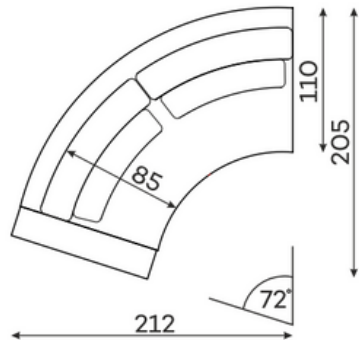


All dimensions of upholstered furniture are given with a tolerance of +/- 4 cm.

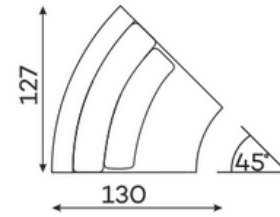
ROUND CORNER ELEMENT



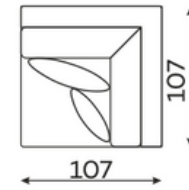
ROUND ELEMENT WITH A WIDE ARMREST



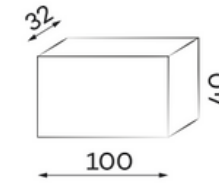
SMALL ROUND CORNER ELEMENT S



CORNER ELEMENT



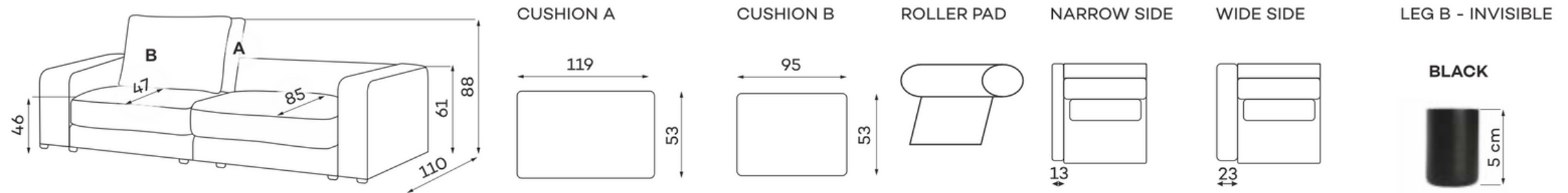
SHELF



Made of wood oiled oak, with mounted charger induction and 230V socket.

All dimensions of upholstered furniture are given with a tolerance of +/- 4 cm.

Other dimensions



What makes the Rio sofa stand out?



The sinuous springs make the seat more flexible and provide a perfect base for high-elastic foam.



The highly elastic foam used increases the strength and elasticity of the seat preventing deformation.



You have the opportunity to choose a fabric from dedicated collections, including fabrics that are easy to clean.



The perfect fit between the seat and backrest to the anatomical shape of the human body provides exceptional comfort and ergonomics of the body.



The furniture is fully upholstered, so you can put it in the middle of the living room.



The filling of this type is made of silicone powder, which retains the properties and softness of feathers, has anti-allergic properties. This filling ensures the highest comfort of use.