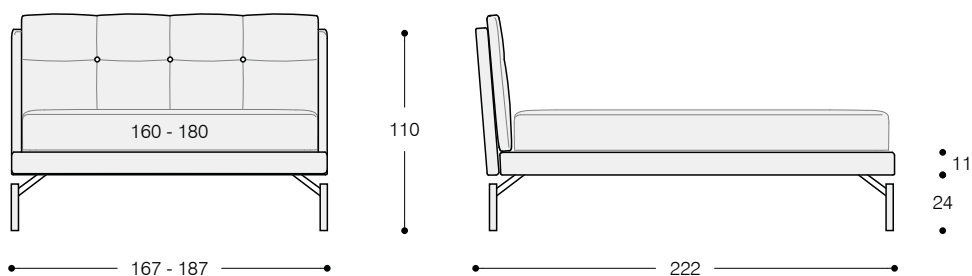


Gap



TECHNICAL FEATURES

Structure: bedstead and headboard in wood and wooden fiber, fixed to a metal bed base that serves as a supporting structure.

Padding: in polyurethane foam, covered with a white fabric joined with polyester resin.

Covers: both fabric's and leather's version are completely removable.

Feet: in copper varnished metal. Prices do not include the mattress.

CARATTERISTICHE TECNICHE

Struttura: giroletto e testata in legno e fibra di legno fissati sulla rete in metallo che funge da struttura portante.

Imbottiture: in poliuretano espanso, rivestite in vellutino bianco accoppiato a fibra di poliestere.

Rivestimento: in tessuto e pelle completamente sfoderabile.

Piedini: in metallo verniciato tinta rame.

I prezzi non comprendono il materasso.

TECHNISCHE DATEN

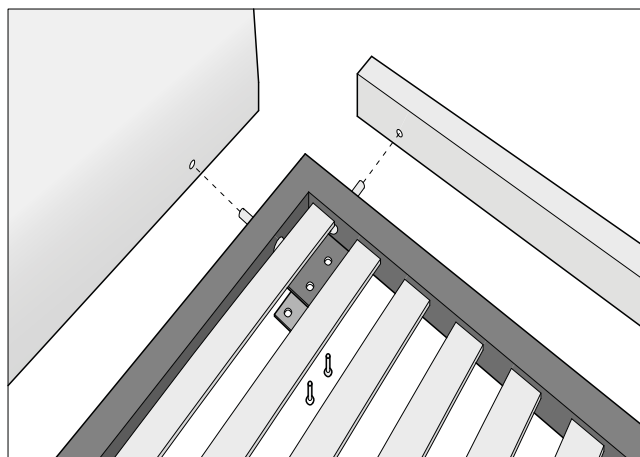
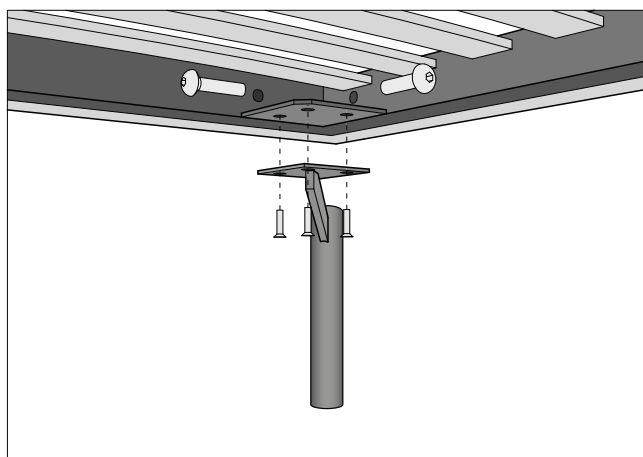
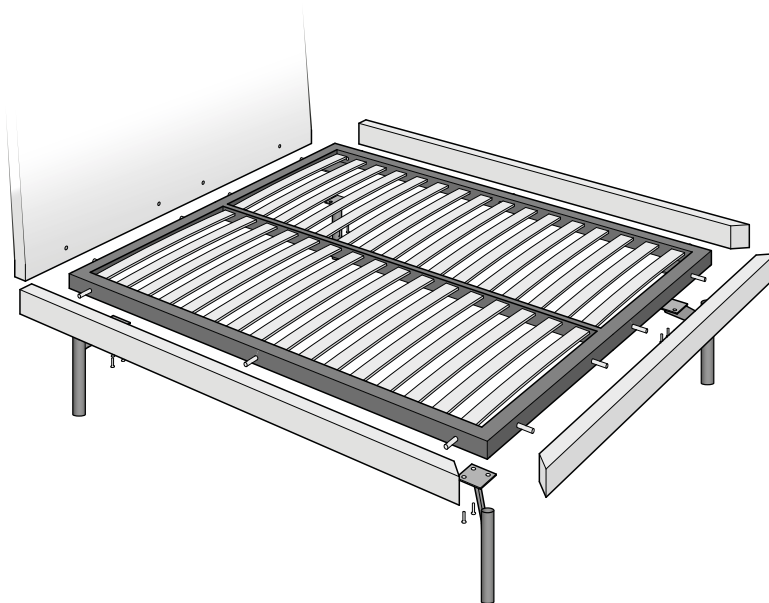
Struktur: Kopfteil aus Holz und Holzfasern, befestigt an der tragenden Metallrahmenstruktur.

Polsterung: Aus Polyurethanschaum, ummantelt von weißem Baumwolltuch und Polyesterfasern.

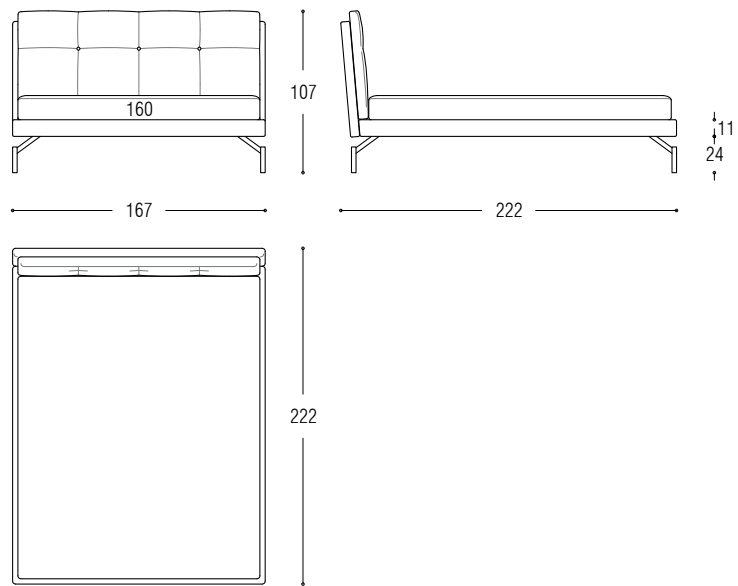
Bezug: In Leder und Stoff komplett abziehbar.

Füße: In kupferfarben lackiertem Metall.

Matratze im Preis nicht enthalten.



Bed for mattress cm 160x200



Bed for mattress cm 180x200

