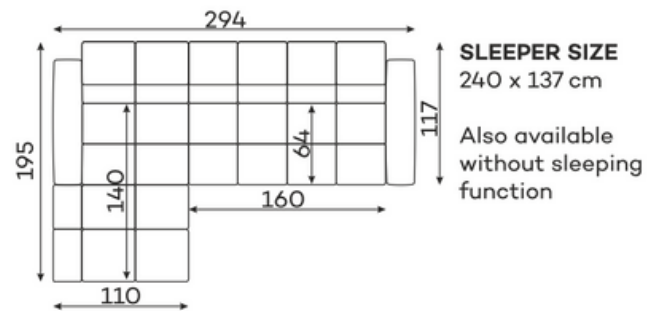




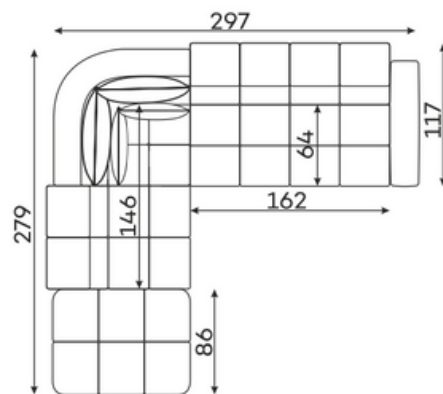
## Corner sofas

Available in a left-hand or right-hand configuration. The sets below are left-hand facing.

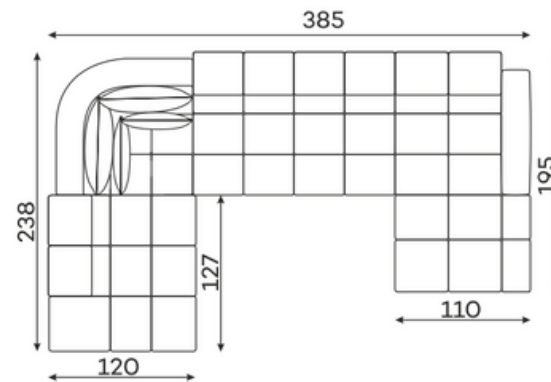
CORNER WITH SLEEPING FUNCTION.



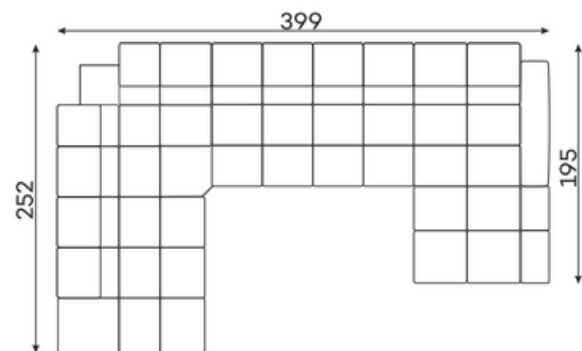
BULLET SET 1.



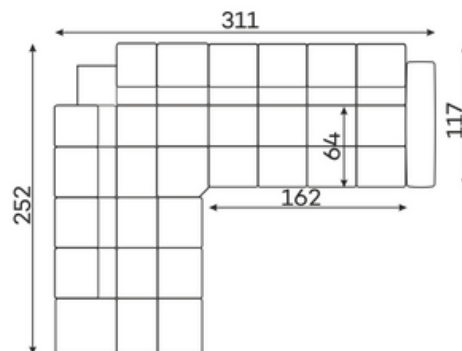
BULLET SET 2.



BULLET SET 3.

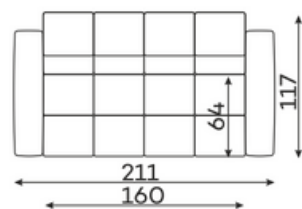


BULLET SET 4.



## Sofas

2-SEATER SOFA. (THE FURNITURE CONSISTS OF ONE ELEMENT.)

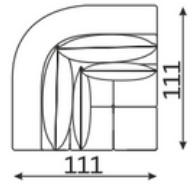


All dimensions of upholstered furniture are given with a tolerance of +/- 4 cm.

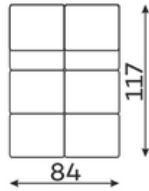
# Modular units

Available in a left-hand or right-hand configuration. The units below are left-hand facing.

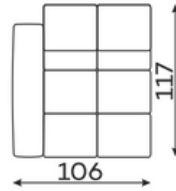
CORNER ELEMENT WITH PILLOWS



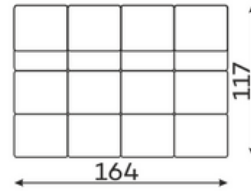
1-SEATER



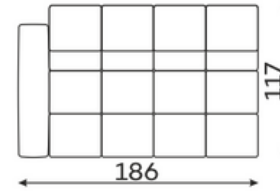
1-SEATER WITH ARMREST



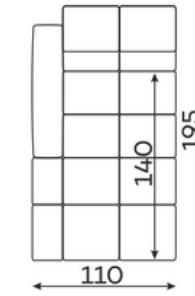
2-SEATER



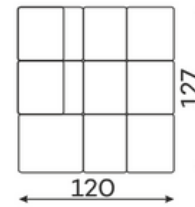
2-SEATER WITH ARMREST



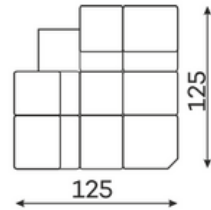
CHAISE LOUNGUE



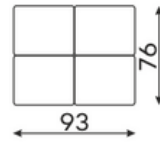
OTTOMAN



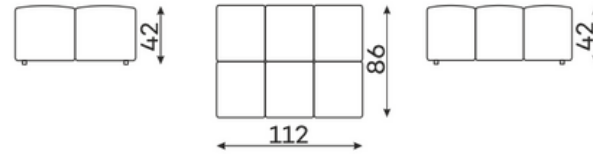
CORNER ELEMENT WITH ADJUSTABLE HEADRESTS



SMALL POUFFE

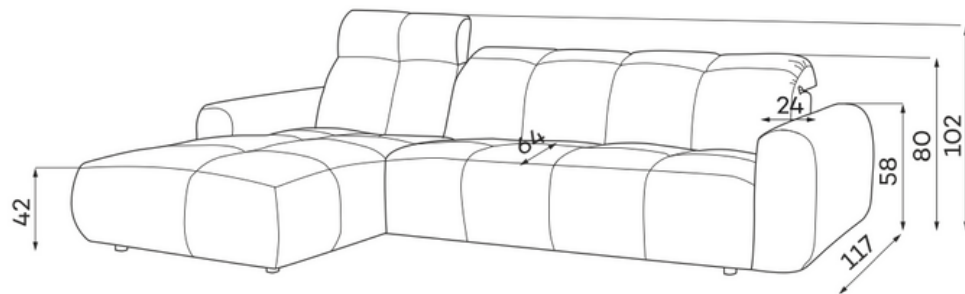


LARGE POUFFE



All dimensions of upholstered furniture are given with a tolerance of +/- 4 cm.

## Other dimensions



LEG B - Invisible

BLACK



## What makes the Bullet sofa stand out?

---



The sinuous springs make the seat more flexible and provide a perfect base for high-elastic foam.



You have the opportunity to choose a fabric from dedicated collections, including fabrics that are easy to clean.



The furniture is fully upholstered, so you can put it in the middle of the living room.



Adjustable headrests



The perfect fit between the seat and backrest to the anatomical shape of the human body provides exceptional comfort and ergonomics of the body.



The highly elastic foam used increases the strength and elasticity of the seat preventing deformation.



Sleeping function.



Container for bedding